



 ProofVision



INSTALLATION GUIDE

PROOFVISION TV POD
WATERPROOF TV ENCLOSURE
PV43OC / PV55OC / PV65OC

PROOFVISION TV POD PLUS
WATERPROOF TV ENCLOSURE WITH ANTI-GLARE SCREEN
PV43OC-PLUS / PV55OC-PLUS / PV65OC-PLUS

PVOC-INSTALL / AUGUST 2021



CONTENTS

- About ProofVision 2
- Safety information 3
- Package contents 3
- TV Pod specification 4
- TV Pod Plus specification 5
- Installation of TV Pod / TV Pod Plus 6
- Cleaning instructions 11
- Contact 12

ABOUT PROOFVISION

ProofVision are trusted leaders in waterproof electronics specialising in high quality, innovative products, tested to UK standards for quality, safety and durability.

Established in 2008, the product range has been purpose-designed in the UK and purpose-built for even the harshest of conditions indoors and outdoors. The range has grown with the ever-evolving digital and technological demands of consumers in commercial and residential environments with easy installation and simple to use products. Customers have easy access to UK based technical and customer support by knowledgeable experts.

ProofVision also offers bespoke solutions for those seeking certain specifications and customised design.

For UK, export and overseas enquiries:

T: +44 (0)203 4111 693

E: sales@proofvision.co.uk

W: www.proofvision.co.uk

Social:     @ProofVision

SAFETY INFORMATION

This TV Pod / TV Pod Plus is waterproof and protected when the TV is securely enclosed with a front case or protective anti-glare screen as per instructions.

We recommend that two people install the TV Pod / TV Pod Plus to the wall and when mounting the TV to the bracket provided.

Please ensure that all power from mains running into the TV Pod / TV Pod Plus is switched off while dealing with any live connections to avert risk of electrocution.

To avoid damage to the TV components, consideration should be made with heating and cooling if storing the TV and enclosure outside in order to protect the TV. A cooling kit is optional and recommended during warm and hot weather, alternatively the TV can be stored indoors at room temperature. A heating kit is recommended during cold weather, alternatively the TV can be stored indoors at room temperature.

PACKAGING CONTENTS

Note: TV and cable starter kit not included.

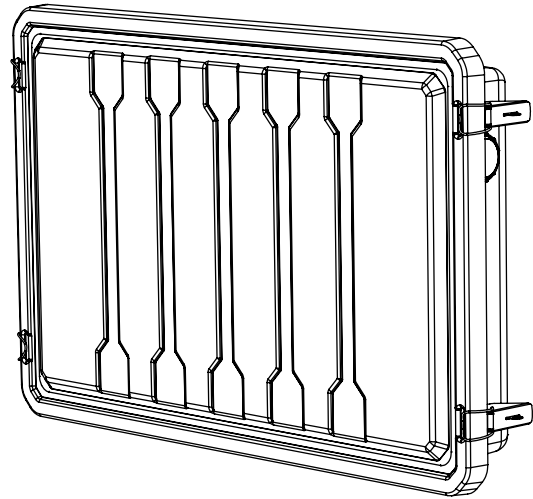
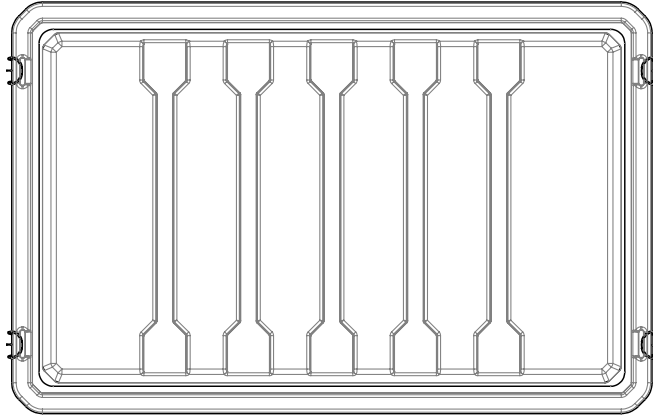
	TV Pod PV43OC (43") PV55OC (55") PV65OC (65")	TV Pod Plus PV43OC-PLUS (43") PV55OC-PLUS (55") PV65OC-PLUS (65")
Back case	x1	x1
Front lid	x1	Not applicable
Locking feature	Toggle latch x 4	Security nuts with special tooling
Anti-glare front screen	Not applicable	x1
Security nuts for Anti-glare front screen	Not applicable	43" x14 / 55" x18 / 65" x20
L-shaped tool for security nuts	Not applicable	x1
TV mounting bracket	x1	x1
Cable vent	x2	x2
Airflow vent	x2	x2
Hydrosorbent silica gel crystals 40g	x1	x1

ACCESSORY KITS (Sold Separately)

- Cable Starter kit - Power + HDMI (PVOC-STARTER)
- HDMI Kit (PVOC-HDMI)
- USB Kit (PVOC-USB)
- RF Aerial Kit (PVOC-RF)
- 5M power extension kit (PVOC-5MPOWER)

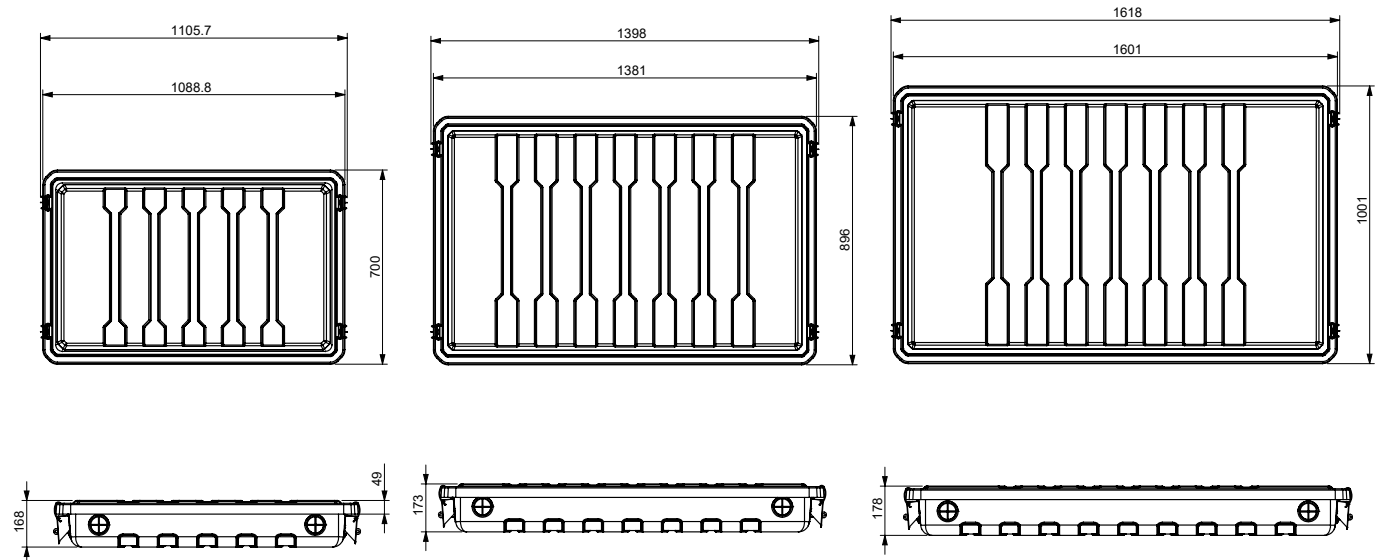
INSTALLATION GUIDE

TV POD SPECIFICATION



INTERNAL DIMENSIONS

	Width (mm)	Height (mm)	Depth (mm) (with supplied TV mount)	Depth (mm) (without supplied TV mount)
43 inch	988	599	90	147
55 inch	1280	795	95	152
65 inch	1500	900	100	157

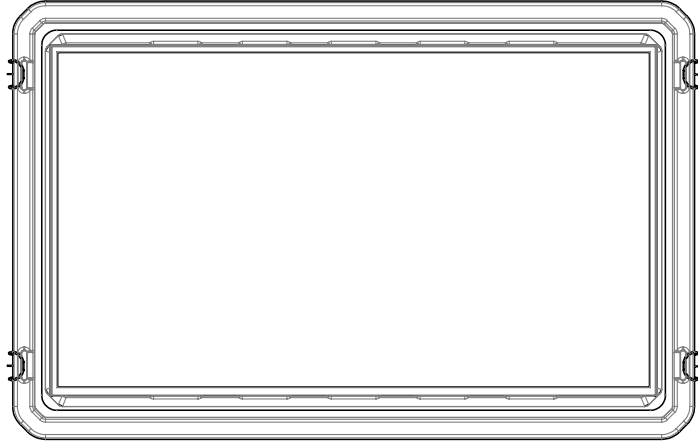


43" TV Pod - Weight 11.3kg

55" TV Pod - Weight 17kg

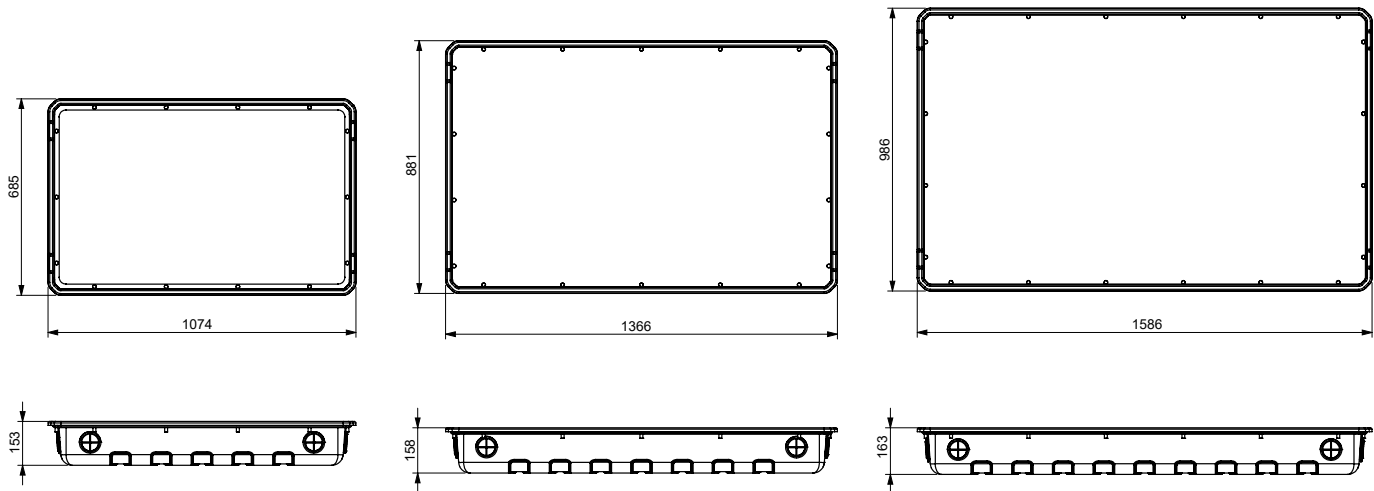
65" TV Pod - Weight 21kg

TV POD PLUS SPECIFICATION



INTERNAL DIMENSIONS

	Width (mm)	Height (mm)	Depth (mm) (with supplied TV mount)	Depth (mm) (without supplied TV mount)
43 inch	988	599	90	147
55 inch	1280	795	95	152
65 inch	1500	900	100	157



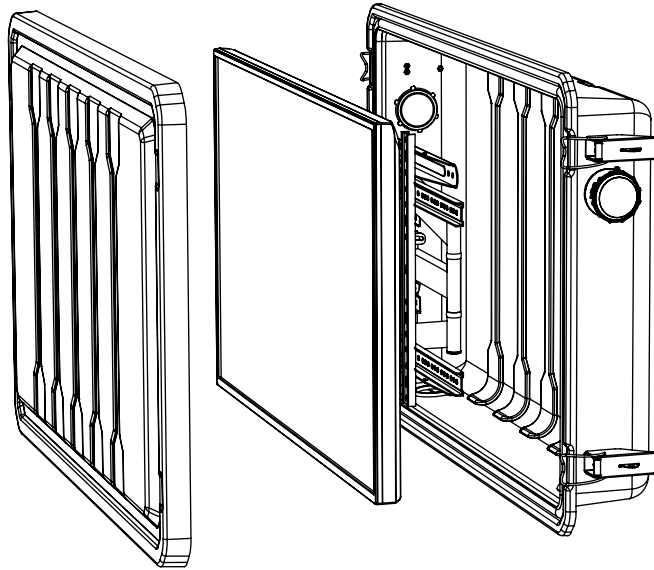
55" TV Pod Plus
Weight 15kg

65" TV Pod Plus
Weight 20kg

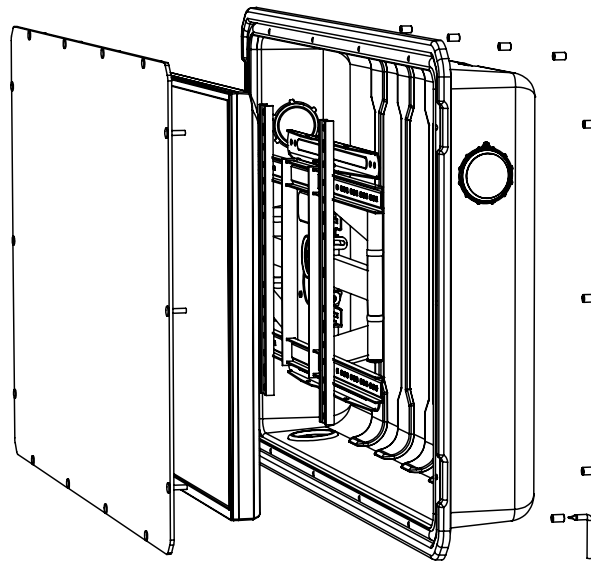
INSTALLATION GUIDE

INSTALLATION OF TV POD / TV POD PLUS

TV POD



TV POD PLUS



TOOLS YOU WILL NEED (TV Not Included)

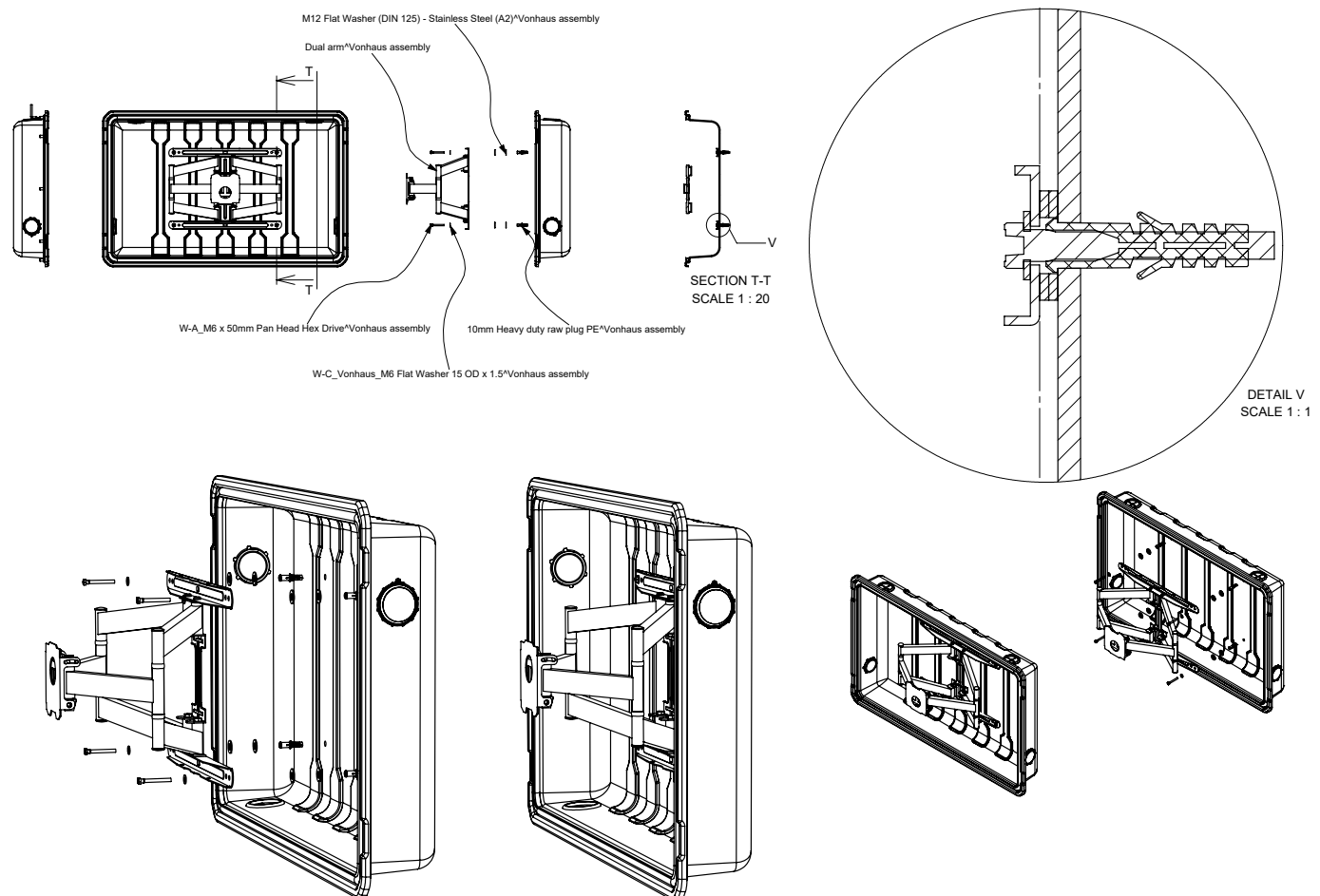
- Phillips screwdriver
- Drill with 10mm HSS masonry drill bit
- Torch
- Tape measure
- Stanley knife
- Spirit level

STEP 1 - POSITIONING

- Decide on location for the TV Pod
- Ensure the mounting wall is strong enough to hold the combined weight of TV Pod / TV Pod Plus, TV and accessories.

STEP 2 - MOUNTING THE TV CASE TO THE WALL

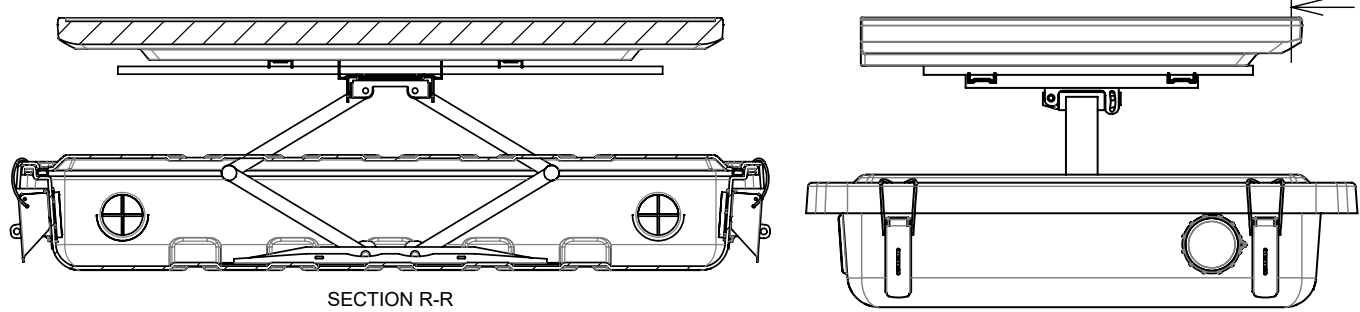
- Line the bracket up with the back of the case using a spirit level and a tape measure to align to the centre. Mark hole positions through the bracket.
- Drill 10mm holes through the back case for the TV mounting bracket to secure into.
- Drill holes into the wall where the TV is being mounted to match holes in the back case.
- Insert raw plugs through holes in the back case.
- Mount back case to wall with raw plugs fitting into holes drilled in the wall.
- Put the TV mounting bracket against the back case lining up with the drilled holes.
- Insert washers and screws through the bracket, back case and wall. Insert screws through washers and bracket before using a drill to fix securely to the back case and wall.



INSTALLATION GUIDE

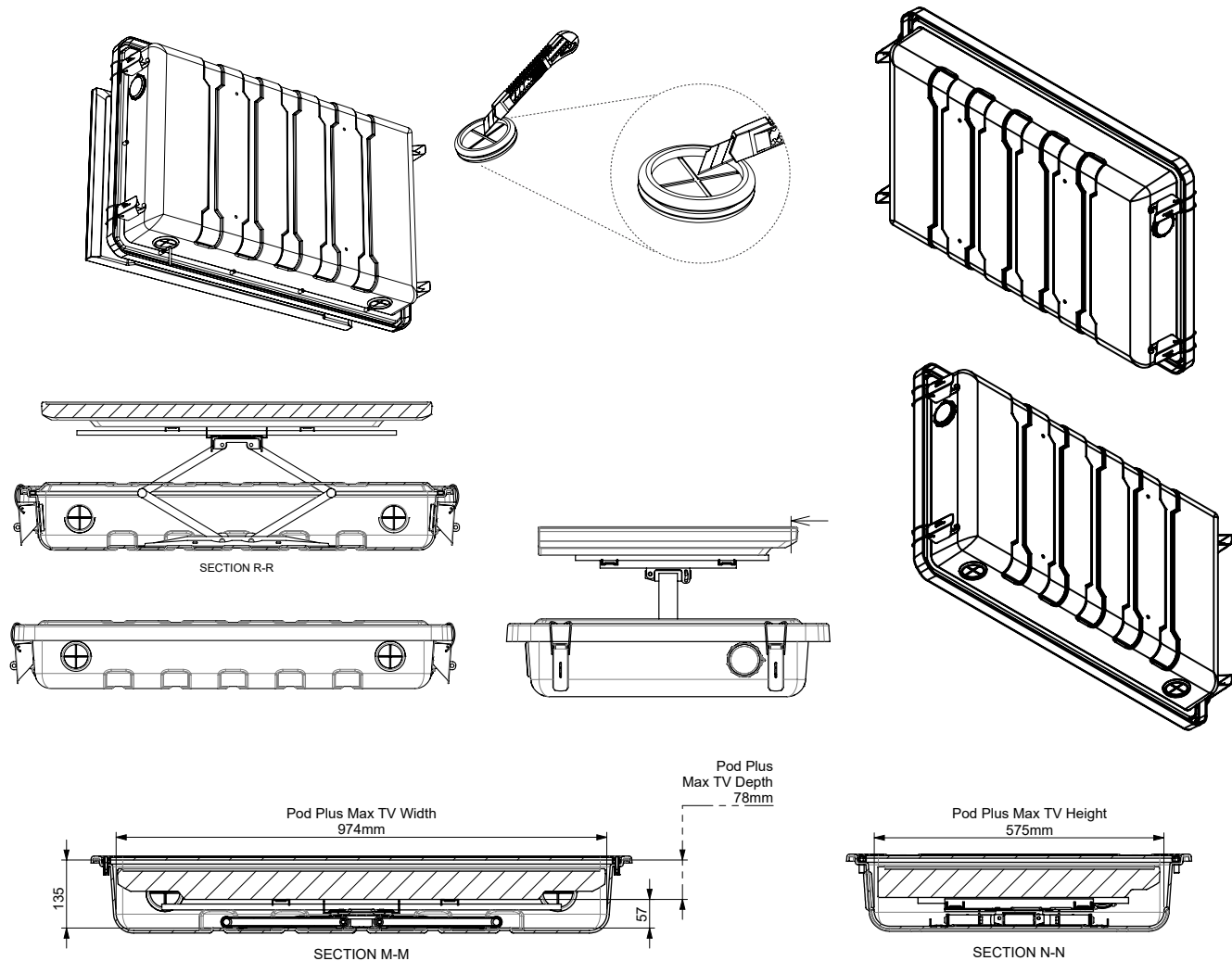
STEP 3 - ATTACHING THE TV TO THE BACK CASE

- Attach bracket arms to the TV
- Mount TV to the bracket



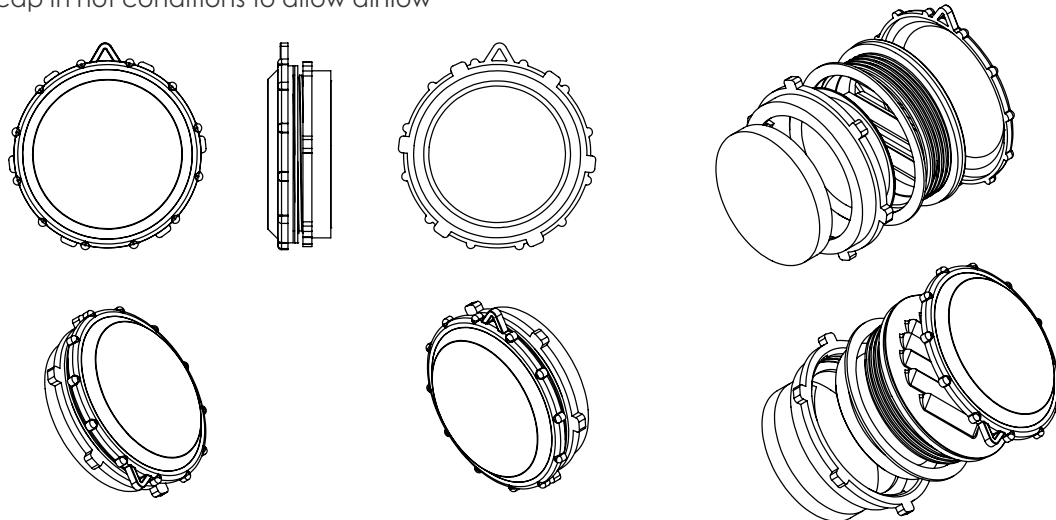
STEP 4 - CABLE ROUTING

- Decide which side the cables will be routed from your TV POD
- Cut along lines of the cable grommet allow space for the cable routing
- Route cables through grommet and connect into the TV



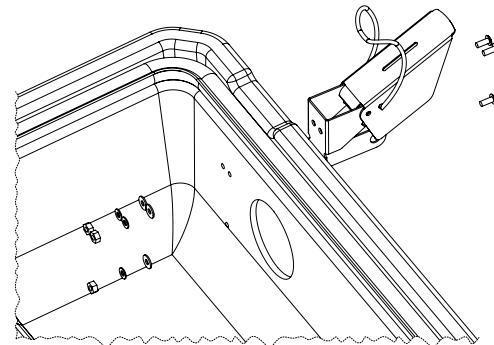
STEP 5 - VENTS

- Unscrew vent to separate in half
- Attach each half to the holes on top of the sides of the back case with the outer facing outwards
- Screw the vent parts together to tighten around the back case AVA
- Use cap when cleaning
- Use cap in cold conditions
- Remove cap in hot conditions to allow airflow



STEP 6.1 - APPLYING THE LID (TV POD)

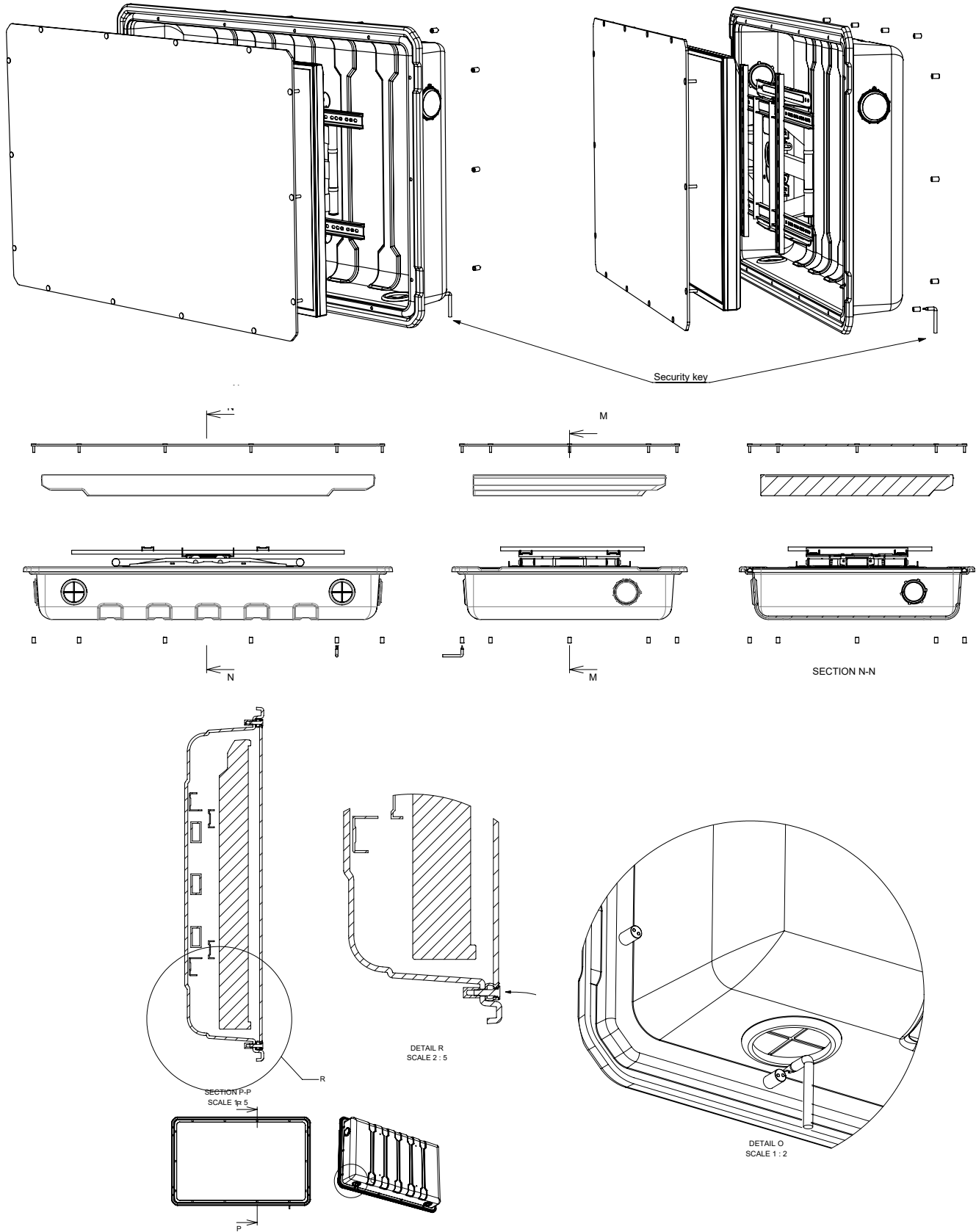
- Position front case over the back case
- Apply latches at the side
- Thread bolts through the latches holes and back box case
- Secure with sealing washer, steel washer and nut



STEP 6.2 - APPLYING THE ANTI-GLARE FRONT SCREEN (TV POD PLUS)

- For optimal anti-glare your TV screen must be positioned close to the polycarbonate viewing panel screen.
- Position your TV 10mm outside of the back box
- Carefully push the TV into position using the polycarbonate viewing panel screen and locate brass bolts into their respective holes.
- Line up brass bolts with holes on the back box
- Push the bolts through so the threads are available on the back of the base
- Attach security nuts provided to thread whilst applying pressure to the bolt. This will depress the waterproof seal ensuring a proper seal.
- Pod will become waterproof when bolts are 'finger tight'. For additional security use provided L-shaped tool to tighten a further rotation

INSTALLATION GUIDE



STEP 7 - COMPLETION

- Once set up is complete, remove polycarbonate protective layer.

CLEANING INSTRUCTIONS (BY PEERLESS COATINGS)

Front and back case (PeeraGuard) cleaning instructions

N.B. Polycarbonate has an optical grade hard coating on the exterior side only - (Acrylic based coating called PeeraGuard™ AG75) Our Optical grade protective hard coating is a high quality, optically enhanced, UV-cured protective hard coating for polycarbonate. Possessing excellent anti-abrasion and chemical resistance.

<https://www.peerless-coatings.co.uk/coatings-for-plastic/peeraguard-optical-2/>

CLEANING

In order to maintain the product in good condition, regular cleaning may be permitted using suitable household cleaning agents. The exterior abrasive resistant coating gives improved protection against chemical attack.

- Use lukewarm water to rinse and soften dirt.
- A solution of lukewarm water and ordinary household cleaner or mild soap for cleaning.
- A sponge or soft cloth should then be used to gently remove dirt and grime.
- Ethyl alcohol or white kerosene may be used sparingly to remove paint and other such substances.

However, do not:

- Scrub the sheet with brushes or sharp implements.
- Use squeegees.
- Use harsh solvents for prolonged periods of time, other than those listed, or any abrasive cleaners.
- Avoid cleaners of a highly alkaline composition.
- Always finish a clean by rinsing with clean water.

SPECIAL NOTE:

The edges of your polycarbonate sheet are not protected with an abrasion and chemical resistance hard coating. Do not allow cleaning solutions and solvents to pool along the edges for any length of time.

Always rinse edges thoroughly with generous amounts of lukewarm clean water.

WARRANTY

Thank you for purchasing a ProofVision waterproof TV enclosure. Once registered, the warranty is subject to our terms and conditions:

1. Your units and components contained herein are warranted against defective material and workmanship for a period of 24 months from the date of purchase, except for the anti-glare screen that comes with TV Pod Plus models, which is subject to a period of 12 months from the date of purchase.
2. To obtain warranty service, notice of alleged defect must be reported within 48 hours of discovery. Please also provide proof of date of purchase to our customer service team when reporting to verify the warranty of the waterproof TV enclosure.
3. The defective parts / material shall be replaced with a functionally working equivalent part / material and defective part / material pertaining to this warranty shall be only made.
4. All claims pertaining to this warranty shall be only made before the courts having jurisdiction in the UK.

LIMITATIONS OF WARRANTY

1. Damage resulting from accidents, misuse, abuse, alteration, natural disaster, tampering or failure of the customer / installer to follow the normal operating procedure outlined in user manual.
2. Normal wear and tear, corrosion, rusting or stains.
3. Scratches and damage to outer surface areas and externally exposed units or parts that have arisen due to normal customer use.
4. If any parts or parts of the unit that has been replaced with a part, or parts not supplied or repaired by any person other than an authorised technician.

WARRANTY REGISTRATION

Register your product warranty online:

www.proofvision.co.uk/warranty-registration/



For UK, export and overseas enquiries:

T: +44 (0)203 4111 693

E: sales@proofvision.co.uk

W: www.proofvision.co.uk

Social:     @ProofVision